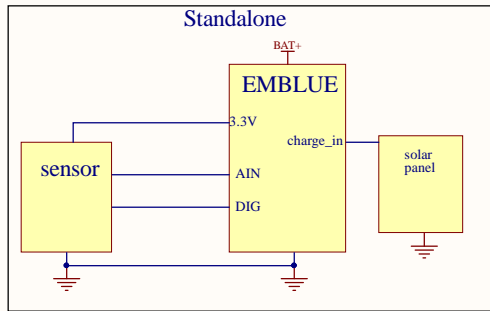
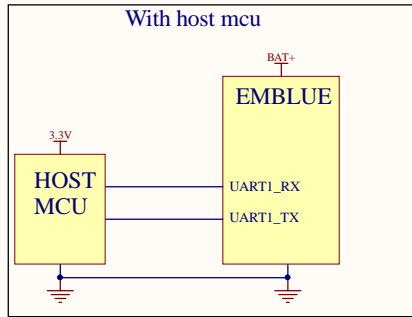


EMBLUE

Hardware Connections



- SCL (2) (1) GND
- SDA (4) (3) CHARGE_IN
- RTS (6) (5) UART1_TX
- UART1_RX (8) (7) CTS
- nCSEM (10) (9) SDI
- SDO (12) (11) nc
- SCK (14) (13) 3.3V

SCL	I2C serial clock Multipurpose I/O PWM output
SDA	I2C serial data Multipurpose I/O Analog input
RTS	Multipurpose I/O PWM output
CTS	Multipurpose I/O
UART1_RX	UART1 receiver Multipurpose I/O PWM output CAN bus Receiver
UART1_TX	UART1 transmitter Multipurpose I/O PWM output CAN bus Transmitter
BT_RX	Bluetooth UART receiver
BT_TX	Bluetooth UART transmitter
nCSEM	Multipurpose I/O PWM output
SDI	SPI serial data in
SDO	SPI serial data out
SCK	SPI serial clock
AIN1/DIG1	Analog input Multipurpose I/O
AIN3/DIG5	Analog input Multipurpose I/O
DIG3, 4, 6	Multipurpose I/O
Charge_In	Charger input power
Bat+	Battery input power
GND	reference

