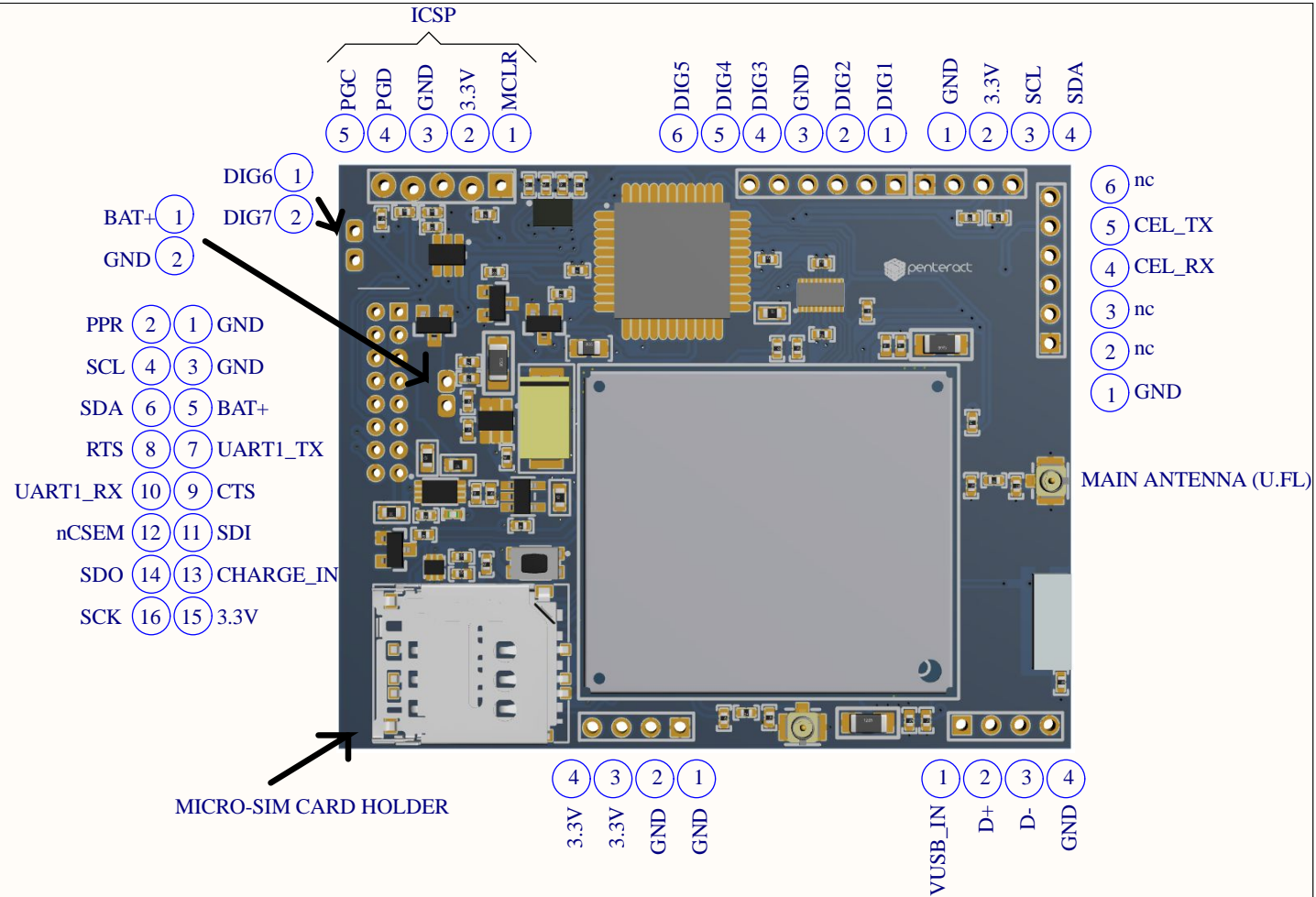
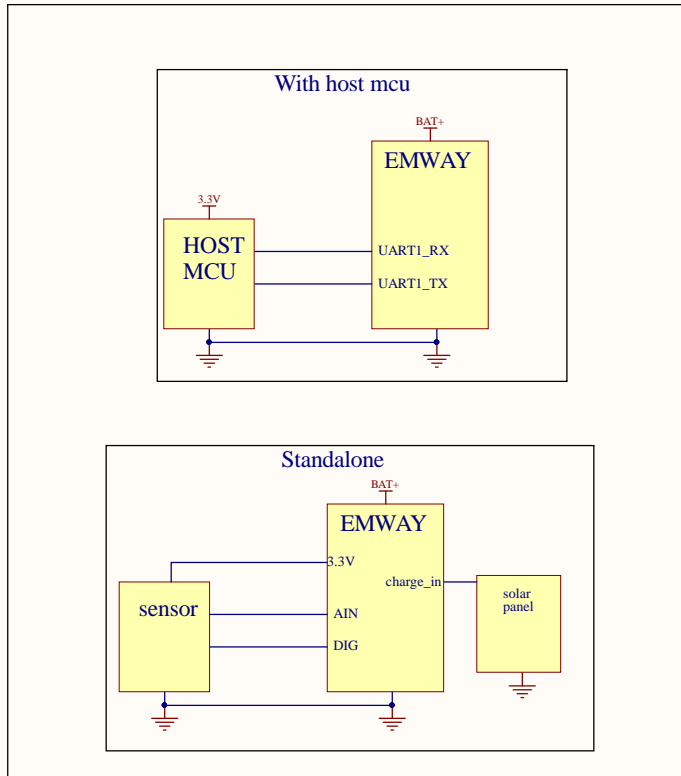


EMWAY/CEL

Hardware Connections



| | |
|----------|--|
| SCL | I2C serial clock Multipurpose I/O Analog input |
| SDA | I2C serial data Multipurpose I/O PWM output |
| RTS | Multipurpose I/O PWM output |
| CTS | Multipurpose I/O |
| UART1_RX | UART1 receiver Multipurpose I/O PWM output CAN bus receiver |
| UART1_TX | UART1 transmitter Multipurpose I/O PWM output CAN bus transmitter |

| | |
|-----------|-----------------------------------|
| CEL_RX | CEL UART receiver |
| CEL_TX | CEL UART transmitter |
| nCSEM | Multipurpose I/O Analog input |
| SDI | SPI serial data in |
| SDO | SPI serial data out |
| SCK | SPI serial clock |
| DIG1, 2 | Multipurpose I/O Analog inputs |
| DIG3-7 | Multipurpose I/O |
| Charge_In | Charger input power |
| PPR | Power present output |
| VUSB_IN | USB power input for cel |
| D+ | USB data+ |
| D- | USB data - |
| Bat+ | Battery input power |
| GND | reference |